

# DC POWERED PRESSURE WASH SYSTEMS



## Designed to Take High-Pressure Power Wherever You Go

Cat Pumps puts together field-proven direct drive high-pressure pumps with industrial grade DC electric motors for pressure wash power on-the-go. With this setup, the pump/motor assembly can operate on any standard direct current source. (See inside for specifications.)

Designed to the highest quality standards, these industrial grade pump/motor assemblies provide from 1 gpm to 5 gpm at pressures from 250 psi to 1,000 psi. This unit makes fast work of a variety of applications including portable restroom cleaning, air-condition fan cleaning, equipment and surface washdown. Available options make complete system build-out easy to do.

### Features

- Choice of 4DX or 4SP direct drive pumps with built-in unloader reduces power consumption when pump is not in use.
- Industrial grade direct current (DC) motor operating at 1800 rpm provides reliable power.
- Pump is supplied with crankcase oil so the unit is ready to use right out-of-the-box.
- Pump and unloader valve field-repairable; no special tools required.
- Options available to build a complete pressure wash system.

### Typical Applications

- Portable restroom washdown
- Air-conditioning fan and enclosure wash
- Truck and equipment cleaning
- Surface cleaning
- Other uses requiring high-pressure water

# Selection Chart – Pump Only

## 4DX and 4SP Series

### 1/3 HP, 12 VDC Motor (27 amps) – 1750 RPM

| Pump    | GPM  | PSI | Nozzle |
|---------|------|-----|--------|
| 4DX15EU | 0.75 | 500 | 2      |
| 4DX20EU | 1    | 400 | 3      |
| 4DX27EU | 1.35 | 300 | 4.5    |

### 1/2 HP, 12 VDC Motor (39 amps) – 1750 RPM

| Pump     | GPM  | PSI | Nozzle |
|----------|------|-----|--------|
| 4DX20EU  | 1    | 600 | 2.5    |
| 4DX27EU  | 1.35 | 450 | 3.5    |
| 4DX30EU  | 1.5  | 400 | 4.5    |
| 4SP21ELU | 2.1  | 300 | 7      |

### 3/4 HP, 12 VDC Motor (58 amps) – 1750 RPM

| Pump     | GPM  | PSI | Nozzle |
|----------|------|-----|--------|
| 4DX20EU  | 1    | 900 | 2      |
| 4DX27EU  | 1.35 | 700 | 3      |
| 4DX30EU  | 1.5  | 600 | 3.5    |
| 4SP21ELU | 2.1  | 450 | 6      |
| 4SP29ELU | 2.9  | 300 | 10     |

### 1 HP, 12 VDC Motor (80 amp) – 1750 RPM

| Pump      | GPM  | PSI  | Nozzle |
|-----------|------|------|--------|
| 4DX20EU   | 1    | 1000 | 2      |
| 4DX27EU   | 1.35 | 900  | 2.5    |
| 4DX30EU   | 1.5  | 850  | 3      |
| 4SP21ELU  | 2.1  | 600  | 5      |
| 4SP29ELU  | 2.9  | 400  | 9      |
| 2SFP500EL | 5    | 250  | 20     |

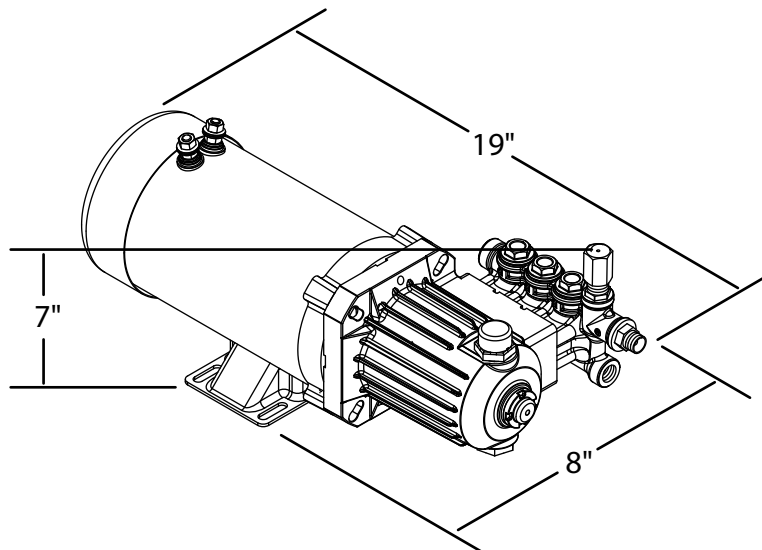
## Common Specifications

|                           |                   |
|---------------------------|-------------------|
| Pump Inlet Pressure Range | Flooded to 60 psi |
| Max. Water Temperature    | 140° F            |
| Inlet Port – Female       | 3/8" NPT          |
| Discharge Port – Male     | 3/8" NPT          |
| Accessory Port – Female   | 1/4" NPT          |
| Weight                    | 11 lbs.           |
| Dimensions                | 7.5 x 7.7 x 6.3"  |



Photo provided by Satellite Industries, Inc.

## Dimensions\*



### 4SP with DC Motor (Total Weight)

|        |           |
|--------|-----------|
| 1/3 HP | 38.7 lbs. |
| 1/2 HP | 41.7 lbs. |
| 3/4 HP | 44.7 lbs. |
| 1 HP   | 53.7 lbs. |

\*Dimension for a 1 HP DC Motor Only.

# Selection Chart – Motorized Unit Assembly

## Pump, Pressure Control and Motor (TEFC)

| Series | 1725 RPM      | Mount   | Pressure Control | Motor Series  | Voltage* | HP      |
|--------|---------------|---------|------------------|---------------|----------|---------|
| 4DX    | 20 = 1.0 gpm  | E = 56C | U = Unloader     | DC @ 1800 RPM | 1 = 12 V | 1 = 1/3 |
|        | 27 = 1.35 gpm |         |                  |               |          | 2 = 1/2 |
|        | 30 = 1.5 gpm  |         |                  |               |          | 3 = 3/4 |
| 4SP    | 21 = 2.1 gpm  |         |                  |               |          | 4 = 1   |
|        | 29 = 2.9 gpm  |         |                  |               |          |         |

**Example:** 4DX20EUDC14 = 4DX20EU with Unloader, DC, 1.0 GPM, 1800 RPM, 12 VDC, 1 HP

**Example:** 4SP21ELUDC12 = 4SP21ELU with Unloader, DC, 2.1 GPM, 1800 RPM, 12 VDC, 1/2 HP

\*Contact Cat Pumps for 24 Volt DC Options

## Auto Start/Stop Control

### Auto Control (12VAUTO80) with Pump, Motor Assembly

Auto start/stop allows pressure washer to run only when there is demand. When the trigger gun is opened the pump motor automatically starts the pressure washer. The motor remains running until the shut-off gun is closed. This feature increases pump and motor life by only running when necessary.

The Cat Pumps auto start/stop control allows for easy system integration into new trucks, or for upgrades on existing trucks. The motor control wiring is already taken care of including the fuse, relay, pressure switches, on/off switch, and leads to the motor. Connect to the positive and negative terminals on top of relay control box, hook up inlet and discharge plumbing, and pressure washer is ready to go.



Available as assembly to be added to existing pump and motor assemblies.



Available to be added to pump and motor assemblies built at Cat Pumps.

## Complete Unit

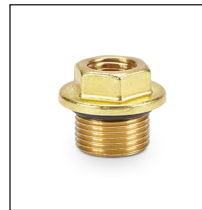
The pump and motor assembly forms the basic component of a complete pressure washing unit. Accessories are available to build a complete system, ranging from inlet filters to shut-off guns. For more information, please visit [www.catpumps.com](http://www.catpumps.com) and search for "High Pressure System Design Guide" and "Accessories Catalog." Contact Cat Pumps for assistance.



## Optional Accessories

| Description                                   | Part Number |
|---|-------------|
| Plug, Ported, 1/4" NPT for Gauge              | 76135       |
| Gauge, Pressure, 1/4" NPT                     | 6086        |
| Filter, Inlet, 1/2" NPTx 1/2"NPT              | 7204.4      |
| Hose, 1/4", 30', Type B, 3/8" NPT, Swivel end | 997041      |
| Gun, Shut-Off                                 | 76165       |
| Nipple, Hex, 1/4" NPT                         | 34576       |
| Nozzle, Vari, 1/4" BSP                        | 7920*       |
| Switch, Pressure, 215 psi, 6 amp              | 31615       |
| Switch, Pressure, 360 psi, 6 amp              | 31625       |
| Valve, Pop-off 1/4" NPT                       | 30960       |

\* Vari Nozzles sizes available for 7920(2), 7925(2.5), 7930(3), 7935(3.5) and 7990(9)



76135



6086



7204.4



997041



76165



34576



7920



31615



30960

## How to Order

For the nearest distributor in your area, please visit [www.catpumps.com/distributors/distributor\\_search.asp](http://www.catpumps.com/distributors/distributor_search.asp) and look for "Pressure Washer Distributor" or "Industrial Distributor" under "Market"

## Important Notice

Not all components shown are required for all applications or systems. Each component may present a potential problem that could interfere with the operation of your system, such as a clogged filter. Proper system installation, monitoring and maintenance of components are necessary for optimum pump performance and safety. Cat Pumps does not assume any liability or responsibility for the design, operation, or installation of a customer's high-pressure system.



### CAT PUMPS

1681 - 94TH LANE N.E. MINNEAPOLIS, MN 55449-4324  
 PHONE (763) 780-5440 — FAX (763) 780-2958  
 e-mail: [info@catpumps.com](mailto:info@catpumps.com)  
[www.catpumps.com](http://www.catpumps.com)