

DATA SHEET

PRESSURE-COMPENSATING SHUT-OFF GUN



**Stainless Steel
Model:**

992641



FEATURES

- Pressure-compensating valve design permits a gradual pull on the trigger for a gradual pressure build-up.
- Heavy-duty industrial gun handles high-pressure systems up to 14,500 psi.
- Durable nylon blended body and trigger provide long life and superior strength.
- Quality construction, combined with a stainless steel valve and seat, ensures thousands of continuous cycles.
- Special safety latch prevents unintentional operation.

SPECIFICATIONS

	U.S.	Metric
Maximum Flow	10.5 gpm	40 lpm
Maximum Pressure	14500 psi	1000 bar
Maximum Temperature	210° F	100° C
Inlet Port	3/8" NPT(F)	3/8" NPT(F)
Discharge Port	3/8" NPT(F)	3/8" NPT(F)
Weight	41.4 oz	1.17 kg
Dimensions	7.89 x 8.07 x 1.57"	200 x 205 x 40 mm

Use only at above specifications to ensure proper gun life and performance.

SELECTION

Select a gun to match the system flow, pressure requirements, temperature, and application. This special industrial gun is designed to minimize operator fatigue in high-pressure applications.

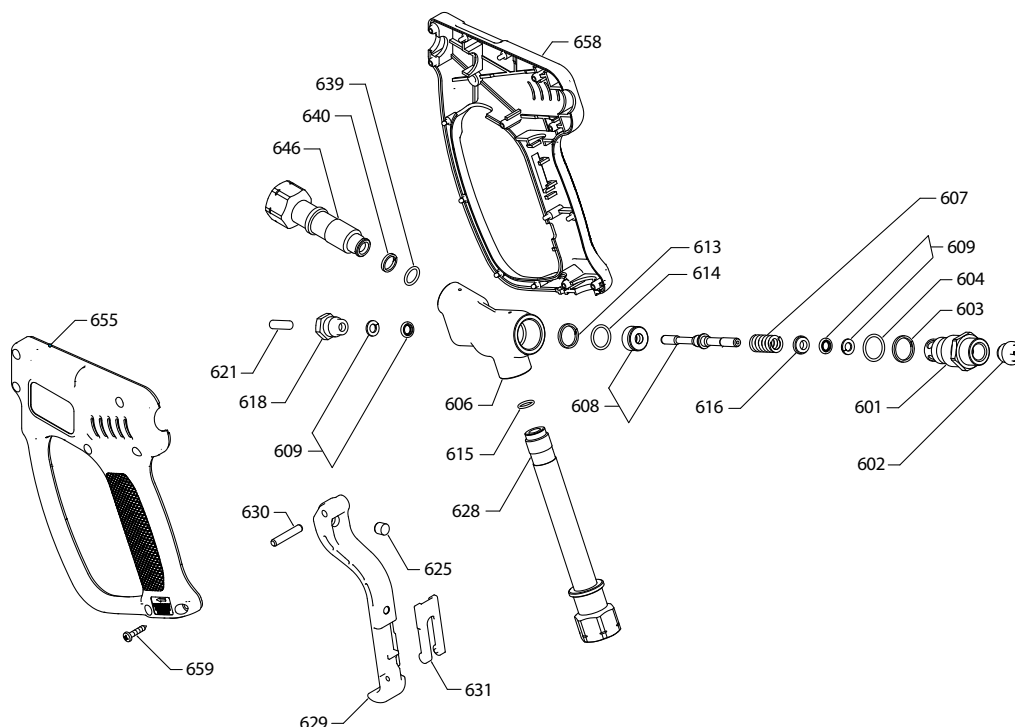
INSTALLATION

Install an appropriate pressure regulator or unloader while using a shut-off gun to avoid pressure spikes when shutting the gun off. Severe damage can occur to the high-pressure systems without this safety device.

OPERATION

Fluid flow through the gun occurs by squeezing the trigger. Because of the unique valve design, a gradual pull on the trigger will permit a gradual build-up of pressure up to 14,500 psi. Squeezing the trigger lifts the piston off the seat allowing flow through the ports and around the perimeter of the seat. A safety latch locks the gun closed to prevent unintentional operation.

EXPLODED VIEW



PARTS LIST

ITEM	PART NUMBER	DESCRIPTION	QTY
601	-	S Plug, Spring	1
602	39401	NY Plug, Rear	1
603	-	PTFE Backup Ring, Plug	1
604	-	NBR O-Ring, Plug	1
606	-	S Body	1
607	-	S Spring, Piston	1
608	-	SS Piston with Seat (2-Piece Set)	1
609	-	NBR Seal, Piston with O-Ring	2
613	-	PTFE Backup Ring, Seat	1
614	33378	NBR O-Ring, Seat	1
615	-	NBR O-Ring, Inlet Fitting	1
616	-	S Washer, Piston	1
618	-	S Retainer, Piston	1
621	-	BB Rod Actuator	1

ITEM	PART NUMBER	DESCRIPTION	QTY
625	33654	S Striker	1
628	-	S Fitting, Inlet, 3/8" NPT(F)	1
629	-	NY Trigger (Black)	1
630	33676	BB Pin, Trigger	1
631	-	NY Latch, Safety	1
639	-	NBR O-Ring, Discharge Fitting	1
640	-	PTFE Backup Ring, Discharge Fitting	1
646	-	S Fitting, Discharge, 3/8" NPT(F)	1
655	-	NY Handle, Gun, Left	1
658	-	NY Handle, Gun, Right	1
659	30409	S Screw, Self-Threading	7
668	32177	<i>NBR* Kit, Repair (Includes: 603, 604, 607, 608, 609, 613, 614, 615, 616, 639, 640)</i>	1

Italics are optional items.

MATERIAL CODES (Not Part of Part Number):

BB=Brass NBR=Medium Nitrile (Buna-N) NY=Nylon
PTFE=Pure Polytetrafluoroethylene S=304SS SS=316SS

TROUBLESHOOTING

Water leaking out the discharge of the gun

- Object lodged between the seat and ball
- Seat worn
- O-ring under seat worn

Water leaking out the lever area

- O-ring around actuator rod worn

SKIN PUNCTURE HAZARD

Do not allow spray to contact any part of the body or animals. Pumped liquids under high-pressure can pierce skin and underlying tissue or can deflect debris leading to serious personal injury or death.

1. Relieve all line pressure in the inlet line to the pump and discharge line from the pump before performing any maintenance on the gun.
2. When high-pressure gun is not in use, set safety trigger lock (safety latch) to avoid accidental high-pressure operation and personal injury or property damage.

CAUTIONS AND WARNINGS

All high-pressure systems require a primary pressure regulating device (i.e. regulator, unloader) and a secondary pressure relief device (i.e. pop-off valve, relief valve). Failure to install such relief devices could result in personal injury or damage to pump or property. Cat Pumps does not assume any liability or responsibility for the operation of a customer's high-pressure system.

Read all CAUTIONS and WARNINGS before commencing service or operation of any high-pressure system. The CAUTIONS and WARNINGS are included in each Service Manual and with each Accessory Data sheet. CAUTIONS and WARNINGS can also be viewed online at www.catpumps.com/dynamic-literature/cautions-and-warnings or can be requested directly from Cat Pumps.

WARRANTY

View the Limited Warranty online at www.catpumps.com/literature/cat-pumps-limited-warranty