

DC POWERED WASHDOWN SYSTEMS



Designed to Take High-Pressure Power Wherever You Go

Cat Pumps puts together field-proven direct-drive high-pressure pumps with industrial-grade DC electric motors for pressure wash power on the go. With this setup, the pump/motor assembly can operate on any standard direct current source. (See inside for specifications.)

Designed to the highest quality standards, these industrial grade pump/motor assemblies provide from 1 gpm to 5 gpm at pressures from 250 psi to 1,000 psi. These units make fast work of various applications including portable restroom cleaning, air conditioner fan cleaning, equipment and surface washdown. Available options make complete system build-out easy to do.

Features

- Choice of 4DX or 4SP direct drive pumps with built-in unloader reduces power consumption when pump is not in use.
- Industrial-grade 12 or 24 volt (DC) motor operating at 1800 rpm provides reliable power.
- Pump is supplied with crankcase oil so the unit is ready to use right out-of-the-box.
- Pump and unloader valve are field-repairable; no special tools required.
- Options available to build a complete pressure wash system.

Typical Applications

- Portable restroom washdown
- Air conditioner fan and enclosure wash
- Truck and equipment cleaning
- Surface cleaning
- Other uses requiring high-pressure water

Selection Chart – Pump Only

4DX and 4SP Series NOTE: 24 volt (DC) motors available upon request. Amp draw is approximately 50% of stated 12 VDC.

1/2 HP, 12 VDC Motor (27 amps) – 1750 RPM

PUMP MODEL	GPM	PSI	NOZZLE
4DX15EU	0.75	500	2
4DX20EU	1	400	3
4DX27EU	1.35	300	4.5
4DX30EU	1.5	250	5.5

1/2 HP, 12 VDC Motor (39 amps) – 1750 RPM

PUMP MODEL	GPM	PSI	NOZZLE
4DX20EU	1	600	2.5
4DX27EU	1.35	450	4.0
4DX30EU	1.5	400	4.5
4SP21ELU	2.1	300	7

3/4 HP, 12 VDC Motor (58 amps) – 1750 RPM

PUMP MODEL	GPM	PSI	NOZZLE
4DX20EU	1	900	2
4DX27EU	1.35	700	3
4DX30EU	1.5	600	3.5
4SP21ELU	2.1	450	6
4SP29ELU	2.9	300	10

1 HP, 12 VDC Motor (80 amp) – 1750 RPM

PUMP MODEL	GPM	PSI	NOZZLE
4DX20EU	1	1000	2
4DX27EU	1.35	900	2.5
4DX30EU	1.5	850	3
4SP21ELU	2.1	600	5
4SP29ELU	2.9	400	9
2SFP500EL *	5	250	20

Common Pump Specifications

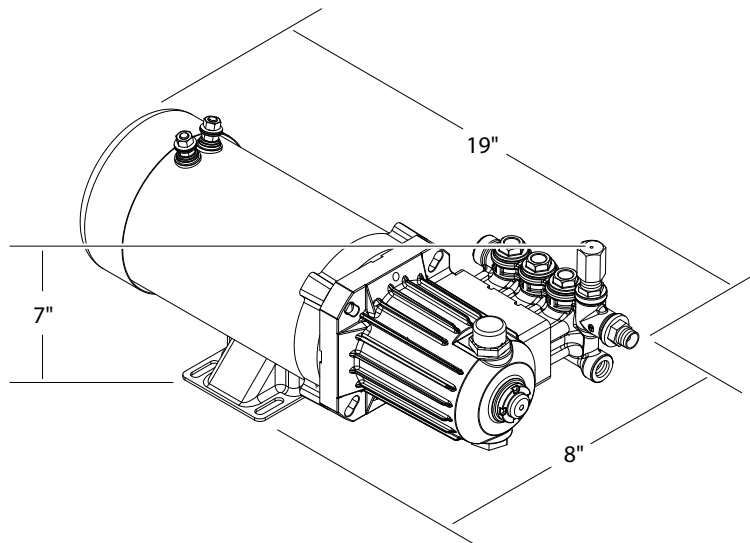
Pump Inlet Pressure Range	Flooded to 60 psi
Max. Water Temperature	140° F
Inlet Port – Female	3/8" NPT(F)
Discharge Port – Male	3/8" NPT(F)
Accessory Port – Female	1/4" NPT(F)
Weight	11 lbs
Dimensions	7.5 x 7.7 x 6.3"

* Does not apply to model 2SFP500EL, see pump data sheet.



Photo provided by Satellite Industries, Inc.

Dimensions**



4SP with DC Motor (Total Weight)

1/2 HP	38.7 lbs
1/2 HP	41.7 lbs
3/4 HP	44.7 lbs
1 HP	53.7 lbs

**Dimension for a 1 HP 12V DC Motor Only.

Selection Chart – Motorized Unit Assembly

Pump, Pressure Control and Motor (TEFC)

SERIES	1725 RPM	MOUNT	PRESSURE CONTROL	MOTOR SERIES	VOLTAGE*	HP
4DX	20 = 1.0 gpm	E = 56C	U = Unloader	DC @ 1800 RPM	1 = 12 V 2 = 24V	1 = 1/3
	27 = 1.35 gpm					2 = 1/2
	30 = 1.5 gpm					3 = 3/4
4SP	21 = 2.1 gpm					4 = 1
	29 = 2.9 gpm					

Examples:

4DX20EUDC14 = 4DX20EU (1.0 GPM) with Unloader, DC, 1800 RPM, 12 VDC, 1 HP
 4SP21ELUDC12 = 4SP21ELU (2.1 GPM) with Unloader, DC, 1800 RPM, 12 VDC, 1/2 HP
 4DX20EUDC22 = 4DX20EU (1.0 GPM) with Unloader, DC, 1800 RPM, 24 VDC, 1/2 HP

DC-Powered Washdown System Control

VOLTAGE	CONFIGURATION	FUSE - AMPS
12V	Auto	60
		80
24V		34
		40

Example: 12VAUTO80 = 12V controls with 80 Amp fuse or 24VAUTO40 = 24V controls with 40 Amp Fuse

Auto start/stop allows the pressure washer to run only when there is demand. When the trigger gun is opened, the pump motor automatically starts the pressure washer. The motor remains running until the shut-off gun is closed. This feature increases pump and motor life by only running when necessary.

The Cat Pumps auto start/stop control allows for easy system integration into new trucks, or for upgrades on existing trucks. The motor control wiring is pre-installed, including the fuse, relay, pressure switches, on/off switch and leads to the motor. Connect to the positive and negative terminals on top of the relay control box, hook up the inlet and discharge plumbing, and the pressure washer is ready to go.



12VAUTO80 Shown



12VAUTO80 Shown with 4DX30EUDC14 pump and motor assembly. Requires tapped valve plug 134670.

Complete Unit

The pump and motor assembly forms the basic component of a complete pressure washing unit. Accessories are available to build a complete system, ranging from inlet filters to shut-off guns. For more information, please visit www.catpumps.com and search for "High Pressure System Design Guide" and "Accessories Catalog." Contact Cat Pumps for assistance.



Optional Accessories

DESCRIPTION	PART NUMBER
Plug, Ported, 1/4" NPT(F) for Gauge or Pressure Switch	134670
Gauge, Pressure, 1/4" NPT(M) 1500 psi	6086
Filter, Inlet, 1/2" NPT(F) x 1/2" NPT(F)	7204.4
Hose, 1/4", 30' (flows up to 2 gpm)	997041
Hose, 3/8", 30' (flows 2-5 gpm)	34350
Gun, Shut-Off	76165
Nozzle, Vari, 1/4" BSP #2	7920*
Valve, Pop-off 1/4" NPT(M)	30960

* Vari Nozzles sizes available for:
7930 (3.0), 7935 (3.5), 7940 (4.0), 7945 (4.5), 7950 (5.0), 7960 (6.0), 7970 (7.0)



6086



7204.4



997041



76165



7920



30960

Important Notice

Not all components shown are required for all applications or systems. Each component may present a potential problem that could interfere with the operation of your system, such as a clogged filter. Proper system installation, monitoring and maintenance of components are necessary for optimum pump performance and safety. Cat Pumps does not assume any liability or responsibility for the design, operation, or installation of a customer's high-pressure system.



CAT PUMPS

1681 - 94TH LANE N.E. MINNEAPOLIS, MN 55449-4324
PHONE (763) 780-5440 — FAX (763) 780-2958
e-mail: info@catpumps.com
www.catpumps.com