

DATA SHEET

SINGLE LANCES



**Stainless Steel
Model: 32042**

**Zinc Plated
Models: 31017, 32031, 32032, 32036**

**Zinc Plated
Models:
(Without Nozzle Holder) 32264, 32268, 36267, 36269**



Model 32036 Shown

FEATURES

- Ventilated square nylon insulator provides comfort and safety during operation.
- Suitable for hot or cold water cleaning.
- Durable two-piece nozzle protector reduces nozzle clogging and damage.
- Zinc plated and 304SS construction allow for cleaning flexibility.



Model 32264 Shown

FEATURES

- Molded insulator eliminates assembly and adjustment.
- Light weight molded lance for sure grip and optimum control.
- Optional lengths available for flexibility and specialized cleaning.

SPECIFICATIONS

U.S.

Metric

Stainless Steel Model: 32042

	U.S.	Metric
Maximum Flow	10.5 gpm	40 lpm
Maximum Pressure	3650 psi	250 bar
Maximum Temperature	320° F	160° C
Inlet Fitting	¼" NPT(M)	¼" NPT(M)
Nozzle Holder	¼" NPT(F)	¼" NPT(F)
Length	36"	900 mm
Weight	20.7	0.59

Zinc Plated Models: 31017, 32031, 32032, 32036

	U.S.	Metric
Maximum Flow	10.5 gpm	40 lpm
Maximum Pressure	3650 psi	250 bar
Maximum Temperature	320° F	160° C
Inlet Fitting (32036 Only)	¼" NPT(M)	¼" NPT(M)
Inlet Fitting	¼" BSP(M)	¼" BSP(M)
Nozzle Holder	¼" NPT(F)	¼" NPT(F)

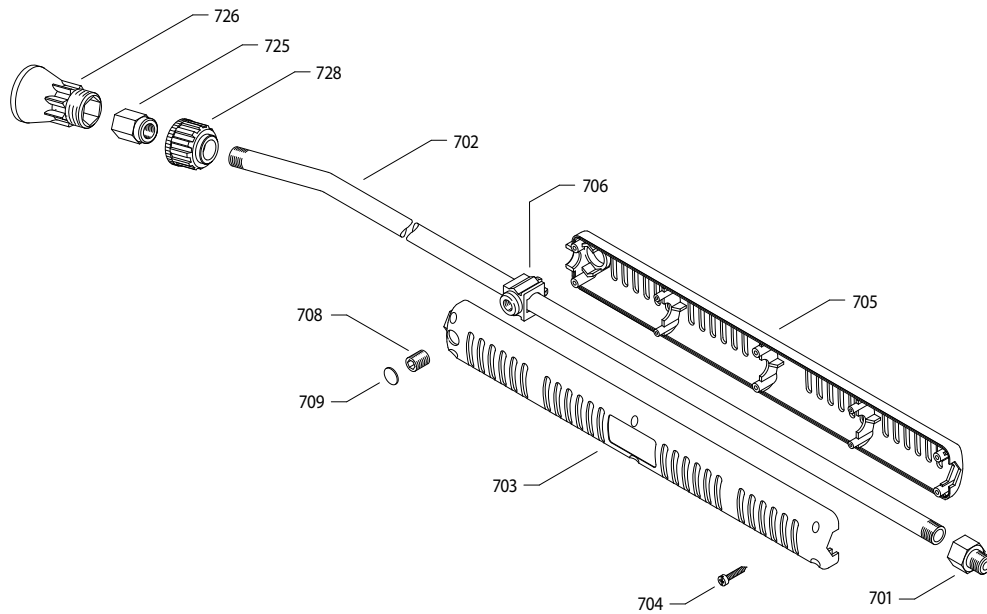
Model Length	31017	32031	32036	32033
Length (in/mm)	27"/700	36"/900	36"/900	60"/1500
Weight (oz/kg)	19.5/0.55	23.1/0.65	20.8/0.59	41/1.17

Square Molded Zinc Plated Models: 32264, 32268, 36267, 36269

	U.S.	Metric
Maximum Flow	10.5 gpm	40 lpm
Maximum Pressure	3650 psi	250 bar
Maximum Temperature	320° F	160° C
Inlet Fitting	¼" NPT(M)	¼" NPT(M)
Discharge Fitting	¼" BSP(M)	¼" BSP(M)

Model Length	32264	36267	32268	36269
Length (in/mm)	24"/600	36"/900	48"/1200	60"/1500
Weight (oz/kg)	13.9/0.39	19.5/0.55	28.5/0.80	35.7/1.01

EXPLODED VIEW



Model 31017 Shown

PARTS LIST

ITEM	PART NUMBER	DESCRIPTION	QTY
701	32868	BB Fitting (1/4" BSP[M])	1
702	—	ZP Tube (600–800 mm)	1
	—	S Tube (700–1050 mm)	1
703	—	NY Cover, Lance (Left)	1
704	—	STZP Screw, Self Tapping (M3.5 x 18)	6
705	—	NY Cover, Lance (Right)	1
706	—	NY Adapter, Side Grip	1
708	32870	STZP Screw, Cover (M10)	1

ITEM	PART NUMBER	DESCRIPTION	QTY
709	—	NY Plug	1
722	32698	NY Side Grip (Not Shown)	1
725	32053	STZP Holder, Nozzle (1/4" NPT[F] x 1/4" NPT[F])	1
726	—	NY Protector, Nozzle	1
728	31169	NY Collar, Protector	1
736	32865	— Assembly, Insulator (Includes: 703–706, 708, 709)	1

Italics are optional items.

MATERIAL CODES (Not Part of Part Number):

BB=Brass NY=Nylon S=304SS STZP=Steel/Zinc Plated ZP=Zinc Plated

SELECTION

Select a lance that matches the system flow and pressure to ensure safety during operation. Select standard zinc plated or 304SS for compatibility and longer life.

INSTALLATION

Install these single lances onto any 1/4" fitted gun. Use PTFE thread tape or pipe thread sealant to ensure an air tight fit. Thread on hand tight until no leaking is visible.

OPERATION

Flow goes through the lance as soon as the trigger on the gun is squeezed.

⚠ WARNING

SKIN PUNCTURE HAZARD

Do not allow spray to contact any part of the body or animals. Pumped liquids under high pressure can pierce skin and underlying tissue or can deflect debris leading to serious personal injury or death.

1. Relieve all line pressure in the inlet line to the pump and discharge line from the pump before performing any maintenance on the gun.
2. When high-pressure gun is not in use, set safety trigger lock (safety latch) to avoid accidental high-pressure operation and personal injury or property damage.
3. Do not check for leaks with hand. Use a piece of cardboard to check for leaks.
4. Review cleaning procedures to minimize heavy back blasting.
5. Wear adequate safety equipment and clothing when operating a high-pressure sprayer. Never use high-pressure spray with bare feet or exposed skin, and always wear safety glasses.

⚠ CAUTIONS AND WARNINGS

All high-pressure systems require a primary pressure regulating device (e.g. regulator, unloader) and a secondary pressure relief device (e.g. pop-off valve, relief valve). Failure to install such relief devices could result in personal injury or damage to pump or property. Cat Pumps does not assume any liability or responsibility for the operation of a customer's high-pressure system. Read all CAUTIONS and WARNINGS before commencing service or operation of any high-pressure system. The CAUTIONS and WARNINGS are included in each Service Manual and with each Accessory Data sheet. CAUTIONS and WARNINGS can also be viewed online at www.catpumps.com/dynamic-literature/cautions-and-warnings or can be requested directly from Cat Pumps.

WARRANTY

View the Limited Warranty online at www.catpumps.com/literature/cat-pumps-limited-warranty