

DATA SHEET

HORIZONTAL SHUT-OFF GUN



Brass Model: 31137



FEATURES

- Horizontal design makes it easier to handle in-line applications.
- Quality-constructed stainless steel valve and seat withstand thousands of continuous cycles.
- Special safety latch prevents unintentional operation.

SPECIFICATIONS

	U.S.	Metric
Maximum Flow	10.5 gpm	40 lpm
Maximum Pressure	4500 psi	310 bar
Maximum Temperature	195° F	90° C
Inlet Port	3/8" NPT(F)	3/8" NPT(F)
Discharge Port	1/4" NPT(F)	1/4" NPT(F)
Weight	20.8 oz	0.589 kg
Dimensions	8.4 x 5.4 x 1.2"	213 x 136 x 30 mm

Use only at above specifications to ensure proper gun life and performance.

SELECTION

Select a gun to match your system flow and pressure requirements, temperature and application.

INSTALLATION

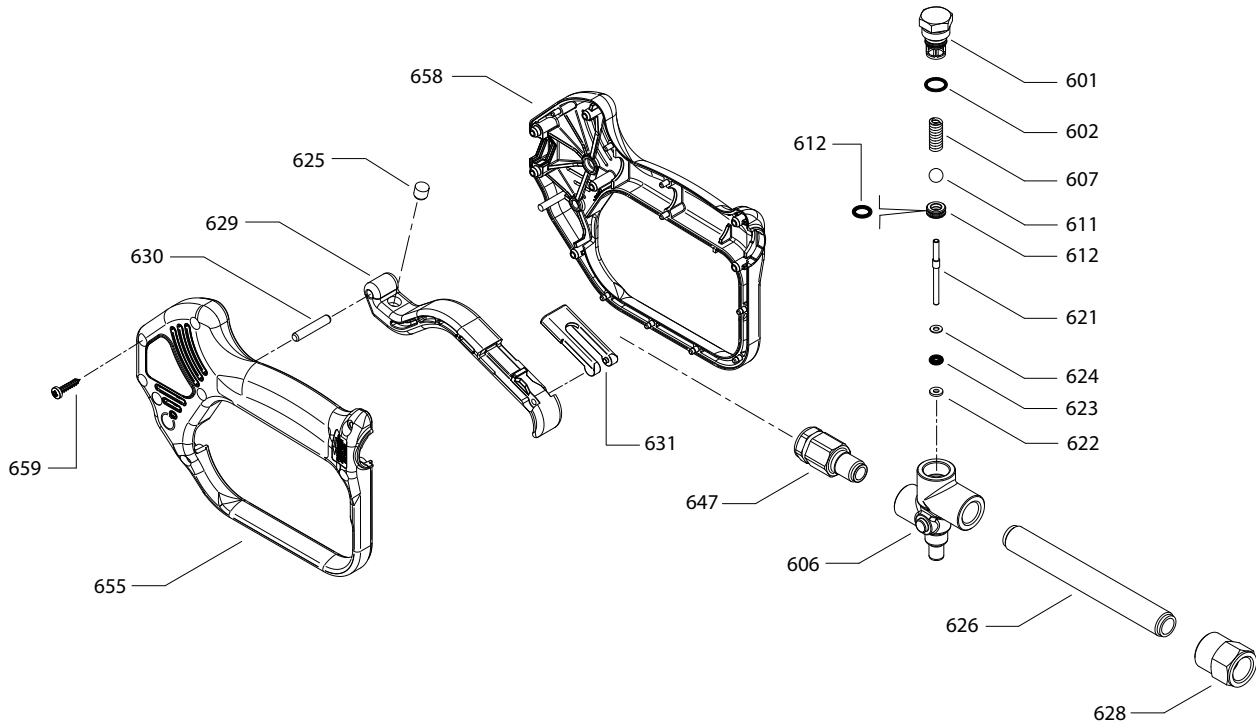
Install the appropriate regulator or unloader while using a shut-off gun to avoid pressure spikes when shutting the gun off. Severe damage can occur to the high-pressure system without this safety device.

OPERATION

Flow through the gun occurs by squeezing the trigger. This activates the actuator rod, lifting the piston off the seat, allowing the pumped liquid to flow through the valve body chamber in the gun. Releasing the trigger shuts off the flow.

A special safety latch locks the gun closed to prevent unintentional operation when left unattended.

EXPLODED VIEW



PARTS LIST

ITEM	P/N	MATL	DESCRIPTION	QTY
601	31626	BB	Nut, Retaining	1
602	31653	NBR	O-Ring, Nut	1
606	—	BB	Body	1
607	—	S	Spring, Ball	1
611	36099	SSSS	Ball, Seat	1
612	39051	NBR	Seat with O-Ring	1
621	—	S	Rod, Actuator	1
622	35074	PTFE	Backup Ring, Actuator Rod	1
623	35020	FPM	O-Ring, Actuator Rod	1
624	39004	S	Washer, Rod	1
625	—	D	Striker, Trigger	1

ITEM	P/N	MATL	DESCRIPTION	QTY
626	—	BB	Tube	1
628	—	BB	Fitting, Inlet (3/8" NPT[F])	1
629	—	NY	Trigger, Black	1
630	—	BB	Pin, Trigger	1
631	—	NY	Latch, Safety, Red	1
647	36408	BB	Fitting, Discharge (1/4" NPT[F])	1
655	—	NY	Handle, Left Half	1
658	—	NY	Handle, Right Half	1
659	—	STZP	Screw, Self Threading, (M3.5 x 18)	7
668	31645	—	<i>Kit, Repair (Includes: 602, 611, 612, 621–623)</i>	1

Italics are optional items.

MATERIAL CODES (Not Part of Part Number): BB=Brass
 D=Acetal FPM=Fluorocarbon NBR=Medium Nitrile (Buna-N) NY=Nylon
 PTFE=Pure Polytetrafluoroethylene S=304SS SS=316SS SSSS=440SS
 STZP=Steel/Zinc Plated

TROUBLESHOOTING

Water leaking out the discharge of the gun

- Object lodged between the seat and ball
- Worn seat
- Worn O-ring under seat

Water leaking out the lever area

- Worn O-ring around actuator rod

⚠ WARNING

SKIN PUNCTURE HAZARD

Do not allow spray to contact any part of the body or animals. Pumped liquids under high pressure can pierce skin and underlying tissue or can deflect debris leading to serious personal injury or death.

1. Relieve all line pressure in the inlet line to the pump and discharge line from the pump before performing any maintenance on the gun.
2. When high-pressure gun is not in use, set safety trigger lock (safety latch) to avoid accidental high-pressure operation and personal injury or property damage.
3. Do not check for leaks with hand. Use a piece of cardboard to check for leaks.
4. Review cleaning procedures to minimize heavy back blasting.
5. Wear adequate safety equipment and clothing when operating a high-pressure sprayer. Never use high-pressure spray with bare feet or exposed skin, and always wear safety glasses.

⚠ CAUTIONS AND WARNINGS

All high-pressure systems require a primary pressure regulating device (e.g. regulator, unloader) and a secondary pressure relief device (e.g. pop-off valve, relief valve). Failure to install such relief devices could result in personal injury or damage to pump or property. Cat Pumps does not assume any liability or responsibility for the operation of a customer's high-pressure system.

Read all CAUTIONS and WARNINGS before commencing service or operation of any high-pressure system. The CAUTIONS and WARNINGS are included in each Service Manual and with each Accessory Data sheet. CAUTIONS and WARNINGS can also be viewed online at www.catpumps.com/dynamic-literature/cautions-and-warnings or can be requested directly from Cat Pumps.

WARRANTY

View the Limited Warranty online at www.catpumps.com/literature/cat-pumps-limited-warranty