



# TECH BULLETIN

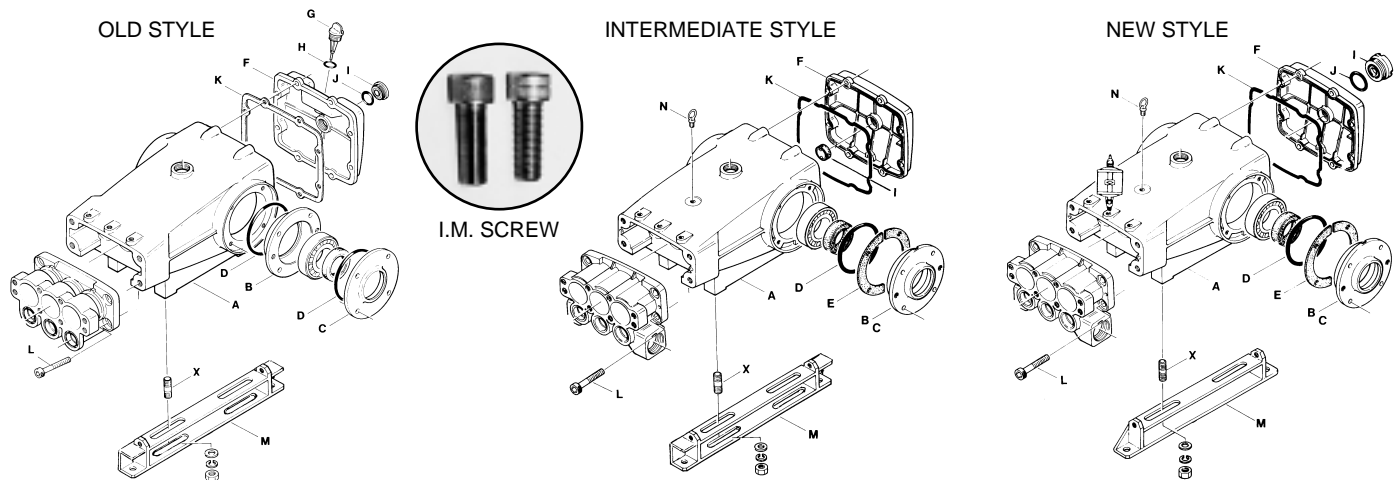
041  
05/85

*Published regarding engineering changes and improvements*

## SUBJECT: 35 Frame Crankcase Change - Models 3520, 3535

The new crankcase changes will simplify the disassembly and reassembly of the crankcase section. **Note the change from fine thread to coarse thread** on both the **inlet manifold screws and mounting studs** and the “new style” bubble oil gauge.

NEW version and OLD version parts are NOT INTERCHANGEABLE. Please check the serial number of the pump you are servicing to assure the proper parts are ordered. See individual operators manuals for parts exclusive to Corrosion Resistant and Stainless Steel models.



ITEM	DESCRIPTION	OLD STYLE	INTERMEDIATE STYLE SN 2850101	NEW STYLE SN 8900101
A	Crankcase	43854	44559	44559
B	Bearing Cover	2-29327 (Inner)	44542	44542
C	Bearing Cover	2-43857 (Outer)	44542	44542
D	O-Ring	4-12398	2-12398	2-12398
E	Shim, Split (2 pc)	N/A	4-44543	4-44543
F	Crankcase Cover	43856	45936	45936
G	Dip Stick	27769	Discontinued	Discontinued
H	O-Ring	11338	Discontinued	Discontinued
I	Oil Gauge	43987 (Threaded)	22289 (Press)	43987 (Threaded)
J	O-Ring, Oil Gauge	20285	Discontinued	44428 Flat Flex Gasket
K	O-Ring, Rear Cover	29324	16612 (O-Ring)	16612 (O-Ring)
L	Inlet Manifold Hex Socket Head Screw	44207 (14x40) (Fine)	44585 SS (Coarse) (14x40) V-groove around head	44585 SS (Coarse) (14x40) V-groove around head
M	Box Rail Assembly	44197	92674 (43888 Rail, 34018 Stud Kit)	92674 (43888 Rail, 34018 Stud Kit)
N	Eye Bolt	N/A	44319	44319
X	Stud Mounting Kit	31041 (Fine)	34018 (Coarse) 34039 SS	34018 (Coarse) 34039 SS

CAT PUMPS  
Technical Services Department

Rev. 07/99