



# TECH BULLETIN

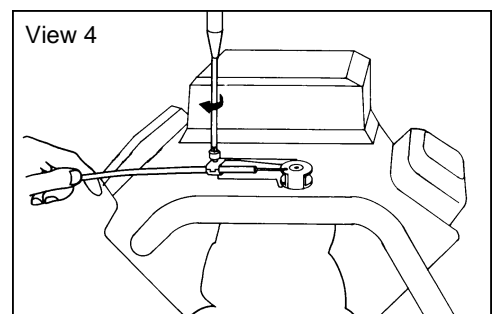
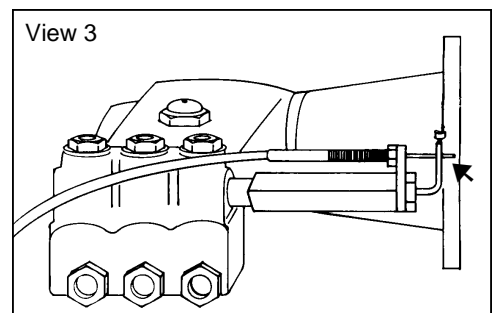
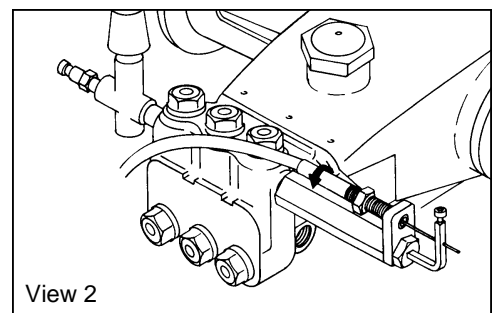
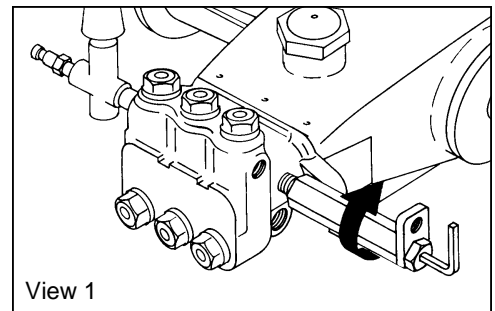
061  
09/91

*Published regarding engineering changes and improvements*

**SUBJECT:** Proper installation and adjustment of the Throttle Controller

1. Install the Throttle Controller in the discharge line between the pump manifold and unloader valve. Where multiple discharge ports are available, it is not necessary to “T” in between the unloader and pump discharge. Simply use auxiliary discharge port (view 1).
2. Connect the throttle Controller  **cable**  by turning the threaded cable end (view 2) into the  **cable retainer** . Thread hand tight until  **Locking Nut and Housing**  are flush with the cable retainer. Then secure lock nut with wrench. Torque to 100 in/lb.
3. Slide cable wire through the hole in the “**L**”  **connecting rod**  (view 3). Apply a small amount of Loctite 242 to the I.D. of the  **socket head screw** . Only partially thread onto “**L**” connecting rod until remaining connection is made.
4. Slide “**Z**” end of cable through the housing clamp (view 4). Then insert “**Z**” end into cable inert on the engine throttle rack. Only partially tighten screw on housing clamp now to allow later fine tuning of the throttle cable.

continued on back



Rev. 07/99

5. With the engine in idle position, tighten the socket head screw on the “L” connecting rod. Torque to 8-10 in/lb. (view 5).

6. Start engine and make the necessary pressure adjustment to your unit to obtain full operating pressure at rated RPM. Check this pressure with the trigger gun open. (view 6).

7. Leave gun open and adjust the engine to full RPM by sliding the cable housing back and forth to obtain a minimum of 5/1000ths of a gap at the stop on the engine throttle rack. (view 6).

**CAUTION**

The engine throttle should not be allowed to hammer against the throttle rack stop. Be certain to leave a small air gap between the throttle and the stop to prevent stress on the cable, the throttle stop and the “L” connecting rod (view 7).

8. When proper engine gap is reached tighten screw on cable housing clamp. Torque to 10 in/lb. (view 8).

**CAT PUMPS**

Technical Services Department

