

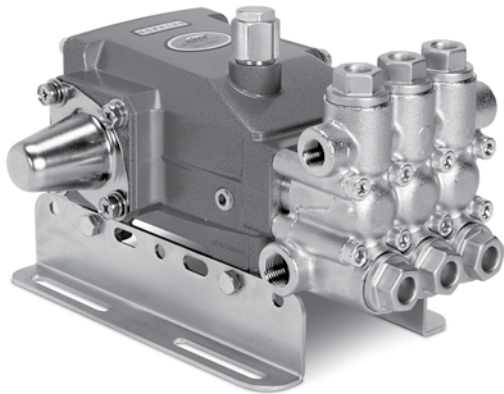
DATA SHEET

5CP PLUNGER PUMPS



**Forged Brass
Model:**

5CP3105CS.44101



Model 5CP3105CS.44101 Shown
(Rails and shaft protector sold separately)

FEATURES

- Designed for continuous-duty performance for triethylene glycol (TEG) gas dehydration where low life cycle costs are a must.
- Field tested, high pressure triplex pump configured for TEG temperatures up to 240° F (115° C).
- Positive displacement technology for optimum energy efficiency.
- Compact footprint enhances direct gearbox and bell housing drives.

SPECIFICATIONS

	U.S. Measure	Metric Measure
Flow	2.5 gpm	9.5 lpm
Pressure Range	100 to 3500 psi	7 to 245 bar
Inlet Pressure Range	Flooded to 60 psi	Flooded to 4 bar
RPM	1750 rpm	1750 rpm
Bore	0.787"	20 mm
Max. Liquid Temperature	240° F	115° C
Crankcase Capacity	17 oz.	0.51 l
Inlet Ports (2)	1/2" NPT(F)	1/2" NPT(F)
Discharge Ports (2)	3/8" NPT(F)	3/8" NPT(F)
Shaft Diameter	0.787"	20 mm
Weight	19.9 lbs.	9 kg
Dimensions	10.89 x 8.71 x 6.52"	276 x 221 x 166 mm

ELECTRIC HORSEPOWER REQUIREMENTS

MODEL	FLOW		PRESSURE				MOTOR PULLEY SIZE	
			psi	psi	psi	psi	Using 1725 rpm Motor & 8" Std. Pump Pulley	
			1500	2000	3000	3500	PUMP RPM	PULLEY O.D.
	gpm	lpm	bar	bar	bar	bar		
5CP3105CS.44101	2.5	9.5	2.6	3.4	5.1	6.0	1750	Direct Drive

DETERMINING THE PUMP R.P.M.	Rated gpm	=	"Desired" gpm
	Rated rpm	=	"Desired" rpm
DETERMINING THE REQUIRED H.P.	gpm x psi	=	Electric Brake
	1460	=	H. P. Required
DETERMINING MOTOR PULLEY SIZE	Motor Pulley O.D.	=	Pump Pulley O.D.
	Pump rpm	=	Motor rpm

See complete Drive Packages [Incls: Pulleys, Belts, Hubs, Key] Tech Bulletin 003.
Refer to pump **Service Manual** for repair procedure and additional technical information.

PARTS LIST

ITEM	PART NUMBER		DESCRIPTION	QTY
5	126542	STCP R	Screw, HHC, Sems (M8x16)	8
8	46910	AL	Cover, Bearing	1
10	76028	FPM	O-Ring, Bearing Cover - 70D	2
11	76236	FPM	Seal, Oil, Crankshaft - 70D	1
15	14480	STL	Bearing, Ball	2
20	48742	TNM	Rod, Connecting Assy	3
25	48203	FCM	Crankshaft, Single End (M10)	1
30	49776	AL	Cover, Bearing	1
31	76142	AL	Adapter, Breather	1
32	76797	BB	Cap, Vented	1
36	76792	SS	Gauge, Sight	2
37	76791	AL	Adapter, Sight	2
38	44428	NBR	Gasket, Flat, Adapter - 80D	2
40	125824	STCP R	Screw, HHC, Sems (M6x16)	4
48	25625	STCP	Plug, Drain (1/4"x19BSP)	1
49	30322	FPM	O-Ring, Drain Plug	1
50	46940	AL	Cover, Rear	1
51	76234	FPM	O-Ring, Rear Cover - 70D	1
53	48617	AL	Crankcase	1
64	46746	CM	Pin, Crosshead	3
65	48458	BBNP	Rod, Plunger	3
70	76838	FPM	Seal, Oil, Crankcase - 70D	3
75	43900	S	Slinger, Barrier	3
88	45697	S	Washer, Keyhole (M18)	3
90	46884	CC	Plunger (M16x50)	3
98	48394	FPM	Washer, Seal - 90D	3
99	† 48201	SS	Retainer, Plunger w/Stud (M6)	3
100	76749	AL	Retainer, Seal	3
106	76316	ST2	Seal, LPS w/S-Spg	3
120	46888	BB	Case, Seal	3
121	14329	FPM	O-Ring, Seal Case	3
127	996751	ST4	V-Packing	6
128	46618	NY	Adapter, Male	3
139	22179	BBCP	Plug, Inlet (1/2" NPTM)	1
163	11685	FPM	O-Ring, Seat - 85D	6
164	45790	S	Seat	6
166	46429	S	Valve	6
167	43750	S	Spring	6
168	44565	PVDF	Retainer, Spring	6
172	26996	FPM	O-Ring, Valve Plug - 70D	6
173	48365	D	Back-Up-Ring, Valve Plug	6
174	45900	BB	Plug, Valve	6
185	46886	FBB	Manifold, Head	1
188	126513	STCP R	Screw, HSH (M8x70)	8
196	22187	BBCP	Plug, Discharge (3/8" NPTM)	1

† Production parts are different than repair parts. R Components comply with RoHS Directive.

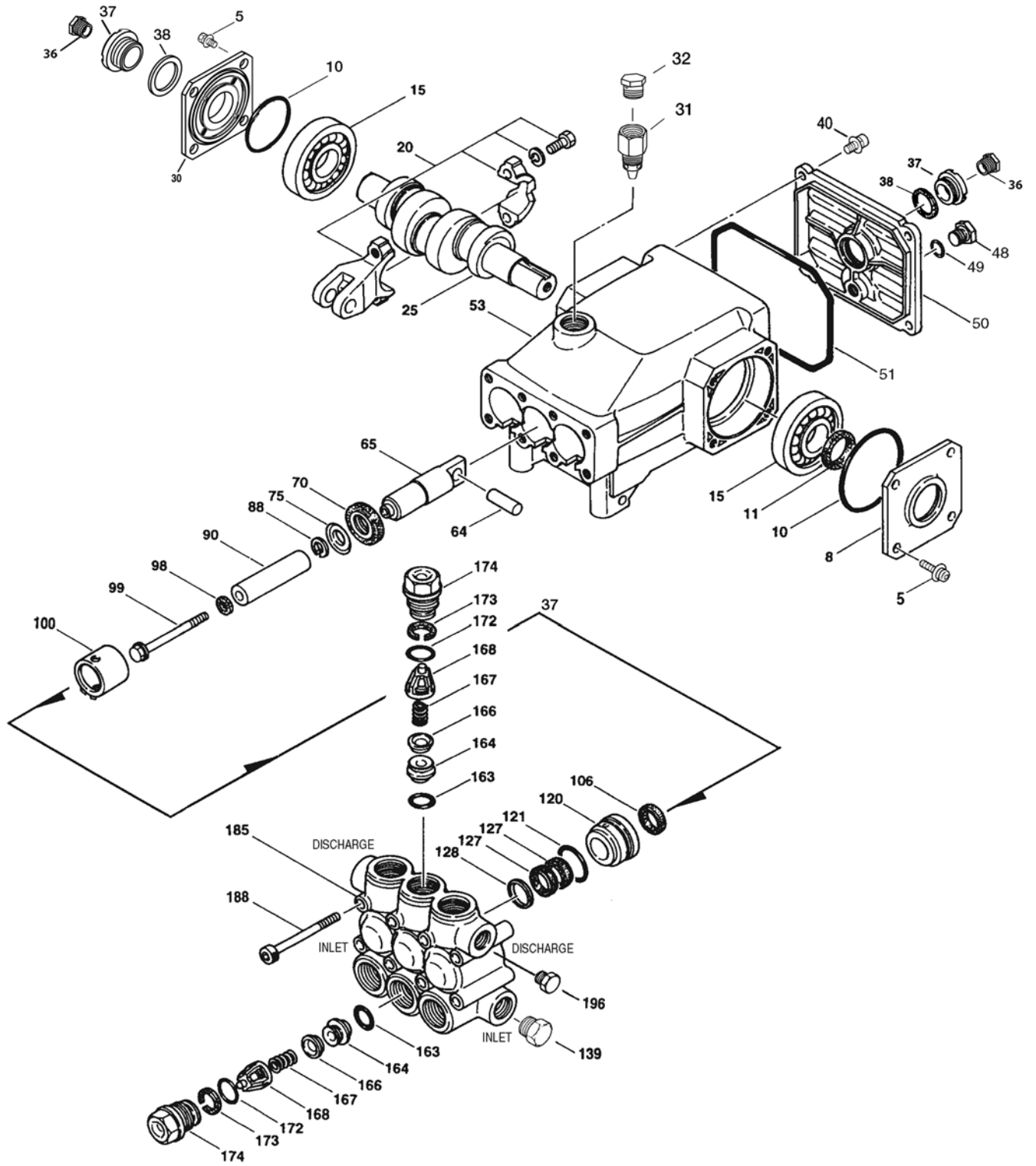
View Tech Bulletins 002, 003, 024, 036, 043, 053, 060, 061, 064, 073, 074, 078 and 083 for additional information.

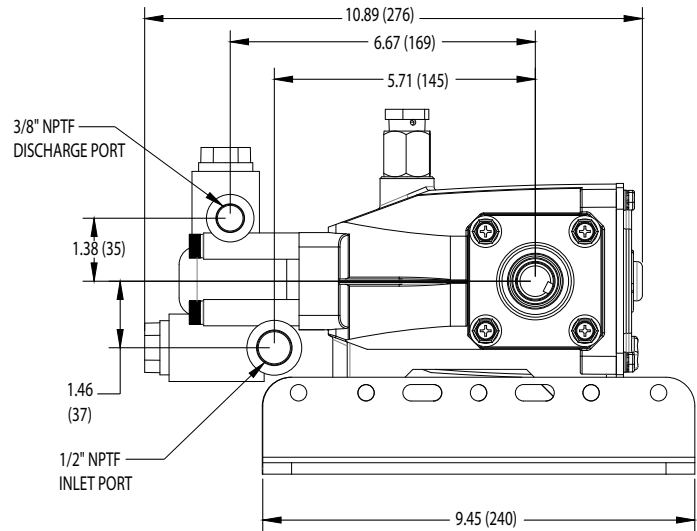
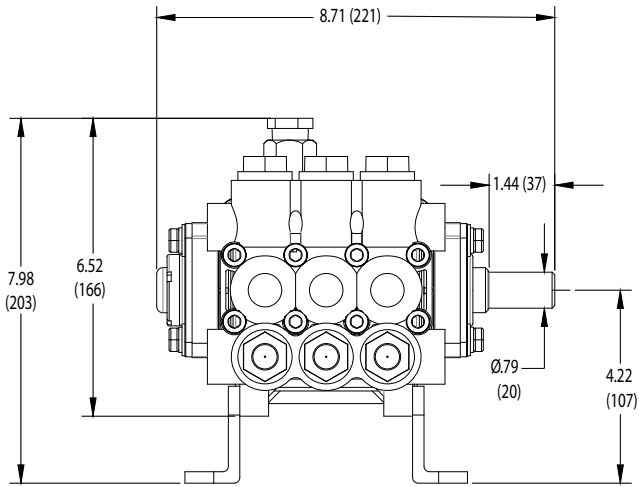
MATERIAL CODES (Not Part of Part Number): AL=Aluminum BB=Brass BBCP=Brass/Chrome Plated BBNP=Brass/Nickel Plated CC=Ceramic CM=Chrome-moly FBB=Forged Brass

FCM=Forged Chrome-moly FPM=Fluorocarbon NBR=Medium Nitrile(Buna-N) NY=Nylon PVDF=Polyvinylidene Fluoride S=304SS SS=316SS

ST2=Special Blend Grey ST4=Special PTFE4 STL=Steel STCP=Steel/Chrome Plated TNM=Special High Strength

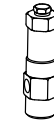
EXPLODED VIEW



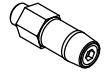


OPTIONAL PARTS AND ACCESSORIES

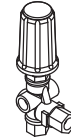
Part Number	Description	Qty
7014	Regulator (Primary Pressure Control)	1
7694.0110	Unloader (Primary Pressure Control)	1
7694.1110	Relief Valve (Secondary Pressure Control)	1
33961S	Pop-Off Valve (Secondary Pressure Control)	1
6076	Pressure Gauge	1
701541	Accumulator	1
30611	Mounting Rails	1
30057	Key (M6x6x25)	1
76334	Kit, Oil Indicator (3/8" x 24") See Individual Data Sheet	1
34334	Kit, Oil Drain (3/8" x 24") See Individual Data Sheet	1
76255	Kit, Seal (Includes Items 98, 106, 121, 127 and 128)	1
31345	Kit, Valve (Includes Items 163, 164, 166, 167, 168, 172 and 173)	2
30696	Pliers (Reverse)	1
44050	Tool, Sight Gauge Removal	1
6107	Oil, Bottle (21 oz.) ISO 68 Hydraulic	1



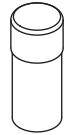
7014



33961S



7694.0110/ 7694.1110



701541



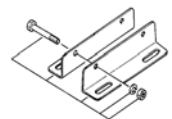
34334



6076



6107



30611

Demand Genuine Cat Pump Parts and Accessories.

⚠ CAUTIONS AND WARNINGS

All High Pressure Systems require a primary pressure regulating device (i.e. regulator, unloader) and a secondary pressure relief device (i.e. pop-off valve, relief valve). Failure to install such relief devices could result in personal injury or damage to pump or property. Cat Pumps does not assume any liability or responsibility for the operation of a customer's high pressure system.

Read all CAUTIONS and WARNINGS before commencing service or operation of any high pressure system. The CAUTIONS and WARNINGS are included in each service manual and with each Accessory Data sheet. CAUTIONS and WARNINGS can also be viewed online at www.catpumps.com/cautions-warnings or can be requested directly from Cat Pumps.

WARRANTY

View the Limited Warranty on-line at www.catpumps.com/warranty.



CAT PUMPS

1681 - 94TH LANE N.E. MINNEAPOLIS, MN 55449-4324
 PHONE (763) 780-5440 — FAX (763) 780-2958
 e-mail: techsupport@catpumps.com
www.catpumps.com